



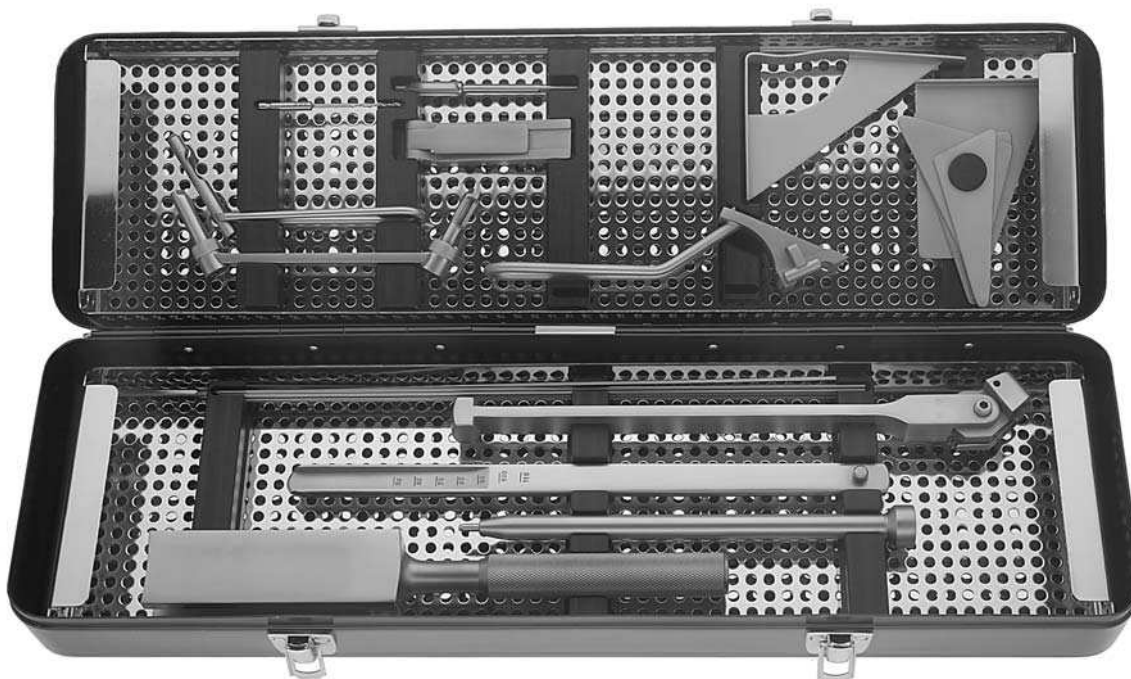
HÜFTNÄGEL, WINKELPLATTEN, DYNAMISCHE HÜFTSCHRAUBEN

HIP NAILS, ANGLED PLATES, DYNAMIC HIP SCREWS



Hüftnägel, Winkelplatten, Dynamische Hüftschrauben Hip Nails, Angled Plates, Dynamic Hip Screws

Instrument Set for Angled Plates



- T 200** Instrument Set for Angled Plates
- T 19E-286.03** Aluminium Case
- T 201** Upper Tray
- T 202** Lower Tray

- 9-294** Triple Drill Guide, fixed angle 130°
- 9-264** Drill Guide round hole plates, long
- 9-300** Reamer with end for quick coupling
- 9-296** Chisel Guide, adjustable angle
- 9-308** Seating Chisel
- 9-306** Inserter-Extractor
- 9-304** Slotted Hammer
- 9-298** Impactor
- 9-314** Triangular Positioning Plate 80°/70°/30°
- 9-312** Triangular Positioning Plate 100°/60°/20°
- 9-310** Quadrangular Positioning Plate 110°/90°/90°/70°
- 9-302** Condylar Plate Guide
- 9-290** Neutral and Load Hip Drill Guide, long
- 7-127** Kirschner Wire \varnothing 2.0 mm, 310 mm long, 10 pieces

- 9-014** Drill Bit \varnothing 2.0 mm
- 9-316** Triangular Positioning Plates 90°/50°/40°

Instruments for Angled Blade Plates



9-294 Triple Drill Guide with fixed angle 130°



9-264 Drill Guide round hole plates, long



9-300 Reamer with end for quick coupling



9-296 Chisel Guide adjustable angle



9-306 Inserter Extractor



9-308 Seating Chisel



9-304 Slotted Hammer

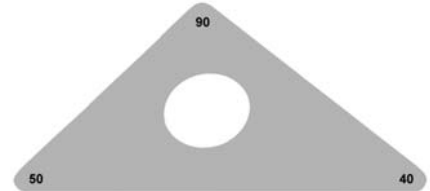


9-298 Impactor

Instruments for Angled Blade Plates



9-314 Triangular Positioning Plate 80°/70°/30°



9-316 Triangular Positioning Plate 90°/50°/40°



9-312 Triangular Positioning Plate 100°/60°/20°



9-310 Quadrangular Positioning Plate 110°/90°/90°/70°

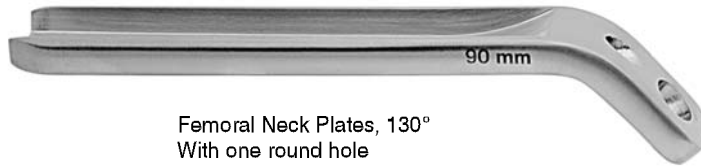


9-302 Condylar Plate Guide



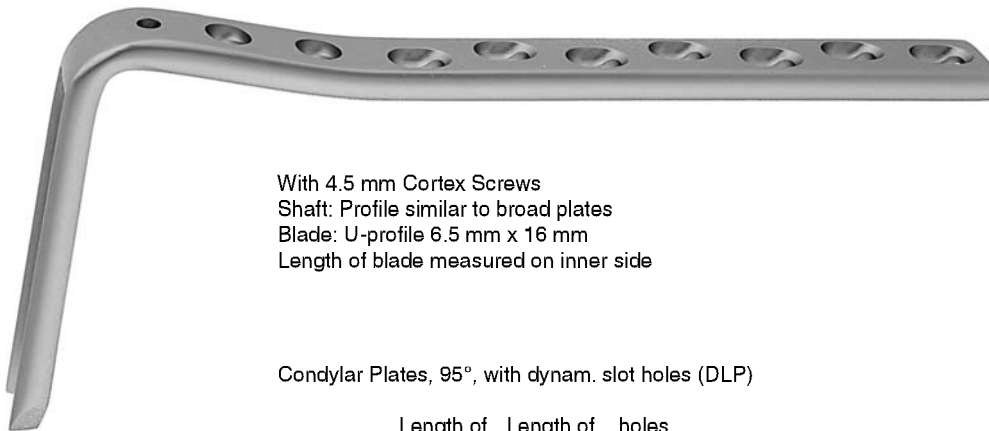
9-290 Neutral and Load Hip Drill Guide, long

Hüftnägel, Winkelplatten, Dynamische Hüftschrauben Hip Nails, Angled Plates, Dynamic Hip Screws



Femoral Neck Plates, 130°
With one round hole
For a 4.5 mm Cortex Screw

	Blade Length
2-100	70 mm
2-102	75 mm
2-104	80 mm
2-106	85 mm
2-108	90 mm
2-110	95 mm
2-112	100 mm
2-114	105 mm
2-116	110 mm

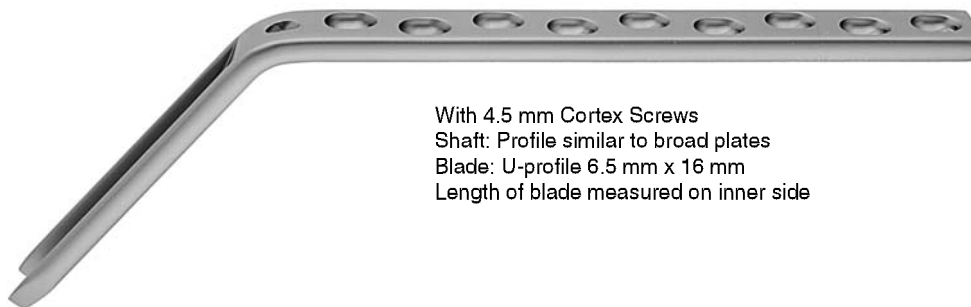


With 4.5 mm Cortex Screws
Shaft: Profile similar to broad plates
Blade: U-profile 6.5 mm x 16 mm
Length of blade measured on inner side

Condylar Plates, 95°, with dynam. slot holes (DLP)

	Length of blades	Length of plates	holes
2-120	50 mm	92	5
2-122	60 mm	92	5
2-124	70 mm	92	5
2-126	80 mm	92	5
2-128	50 mm	124	7
2-130	60 mm	124	7
2-132	70 mm	124	7
2-134	80 mm	124	7
2-136	50 mm	156	9
2-138	60 mm	156	9
2-140	70 mm	156	9
2-142	80 mm	156	9
2-144	50 mm	204	12
2-146	60 mm	204	12
2-148	70 mm	204	12
2-150	80 mm	204	12

Angled Blade Plates for Pertrochanteric Fractures

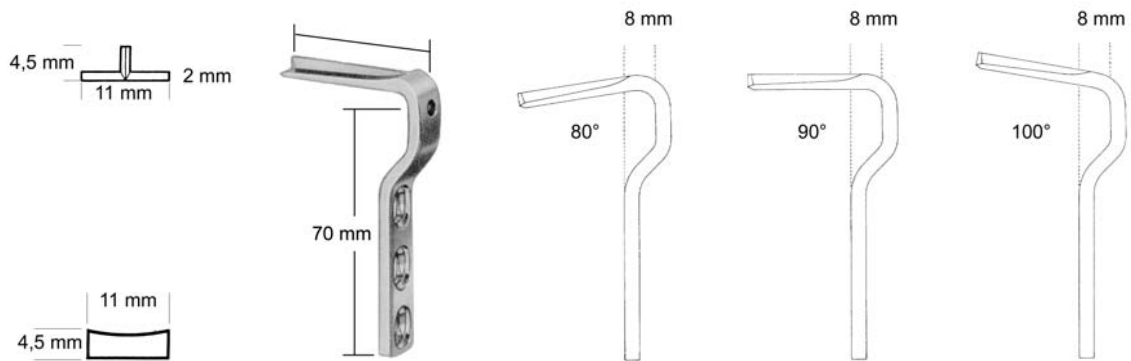


With 4.5 mm Cortex Screws
Shaft: Profile similar to broad plates
Blade: U-profile 6.5 mm x 16 mm
Length of blade measured on inner side

Angled Blade Plate, 130°, dynamic slot holes (DLP)

	Length of blades	Length of plates	holes
2-160	50 mm	75	4
2-162	60 mm	75	4
2-164	70 mm	75	4
2-166	75 mm	75	4
2-168	80 mm	75	4
2-170	85 mm	75	4
2-172	90 mm	75	4
2-174	95 mm	75	4
2-176	100 mm	75	4
2-178	105 mm	75	4
2-180	50 mm	104	6
2-182	60 mm	104	6
2-184	70 mm	104	6
2-186	80 mm	104	6
2-188	90 mm	104	6
2-190	70 mm	152	9
2-192	80 mm	152	9
2-194	90 mm	152	9
2-196	70 mm	200	12
2-198	80 mm	200	12
2-200	90 mm	200	12

Hüftnägel, Winkelplatten, Dynamische Hüftschrauben Hip Nails, Angled Plates, Dynamic Hip Screws

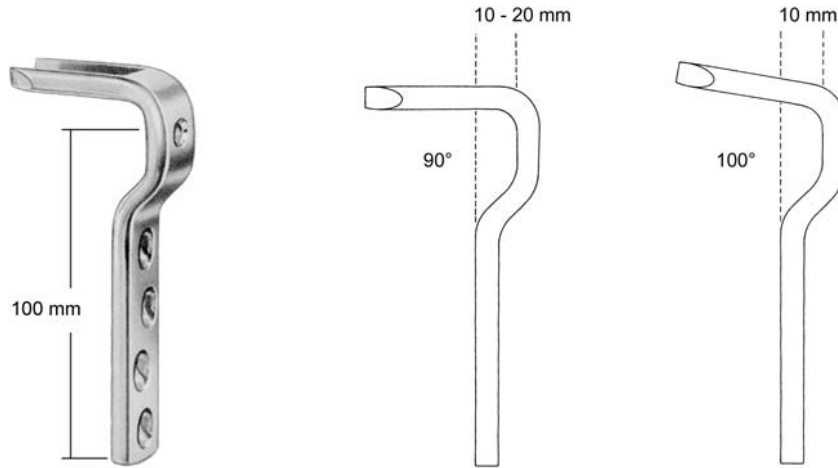
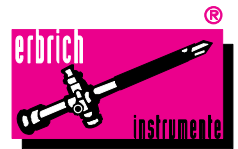


Length of Blade	Bogentiefe	80°	90°	100°
35 mm	8 mm	2-222	2-226	2-230
45 mm	8 mm	2-224	2-228	2-232



Length of Blade	Bogentiefe	90°
25 mm	7 mm	2-236
32 mm	7 mm	2-238
25 mm	12 mm	2-240
32 mm	12 mm	2-242

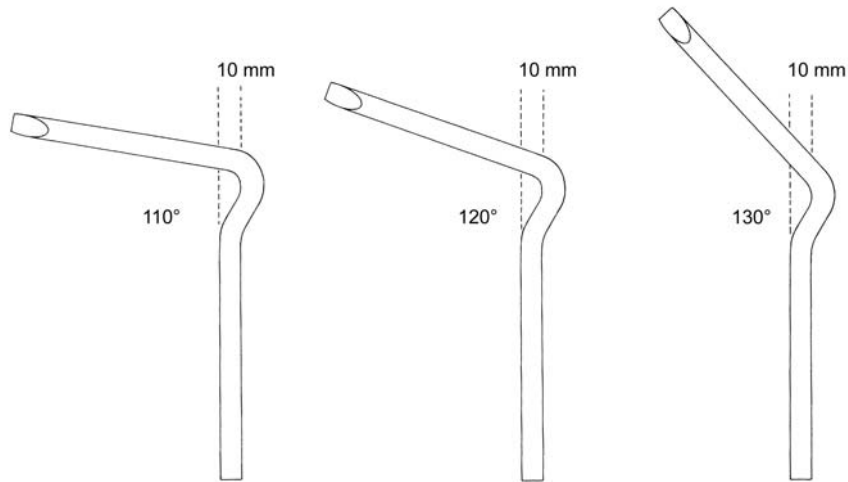
Hüftnägel, Winkelplatten, Dynamische Hüftschrauben Hip Nails, Angled Plates, Dynamic Hip Screws



Length of Blade	Bogentiefe	90°	100°
40 mm	10 mm	2-244	
50 mm	15 mm	2-245	
60 mm	15 mm	2-246	
60 mm	20 mm	2-247	
60 mm	10 mm		2-249

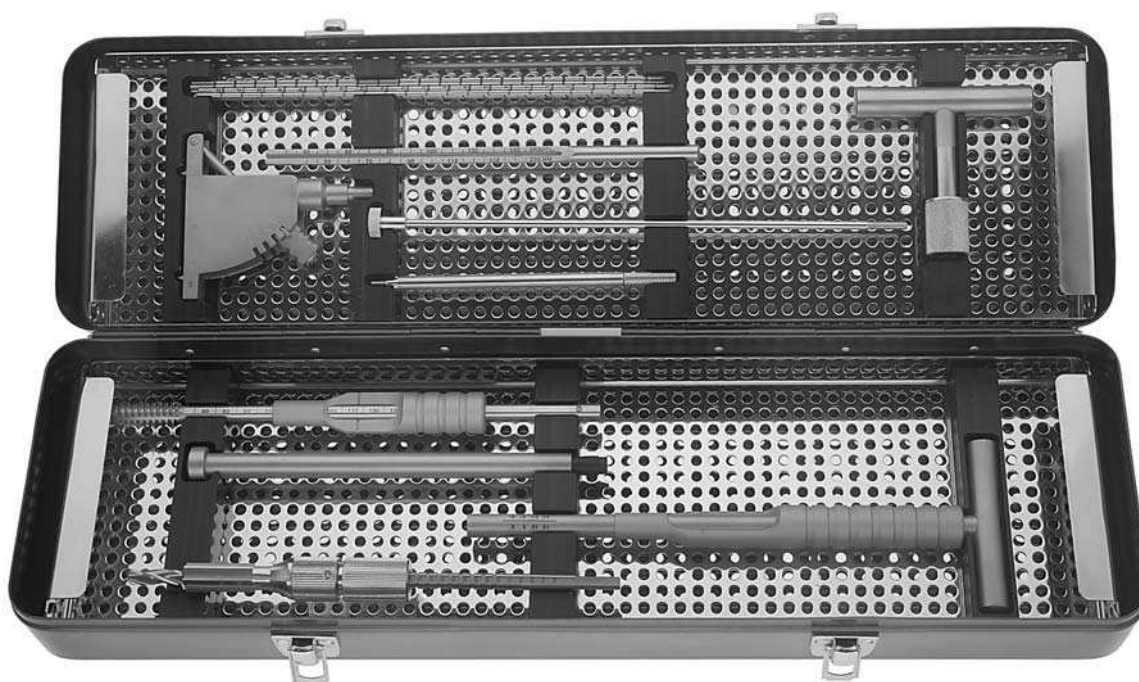


Length of Blade	Bogentiefe	90°
40 mm	10 mm	2-250
50 mm	10 mm	2-252
40 mm	15 mm	2-254
50 mm	15 mm	2-256



Length of Blade	110°	120°	130°
65 mm	2-266	2-260	2-272
70 mm			2-273
75 mm	2-268	2-262	2-274
80 mm			2-275
85 mm	2-270	2-264	2-276
90 mm			2-277
95 mm			2-278
100 mm			2-279
105 mm			2-280
110 mm			2-281

Instrument Set for Dynamic Hip Screw



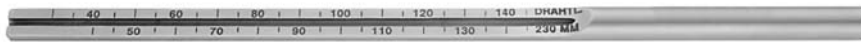
T 230	Instrument Set for Dynamic Hip Screw
19E-286.03	Implant Container, red, 500 x 155 x 75 mm
T 231	Upper Tray
T 232	Lower Tray
2-300	Guide Pin \varnothing 2.5 mm length 230 (10 units)
2-302	Drill Guide
2-304	Measuring Gauge
2-306	Triple Reamer, complete
2-308	Tap
2-310	Guide Sleeve
2-312	Guide Sleeve, long
2-314	Guide Shaft for Insertion of Coupling
Screws	
2-316	Coupling Screw
2-317	Guide Shaft (2 units)
2-318	Wrench
2-320	Impactor
2-322	Handle



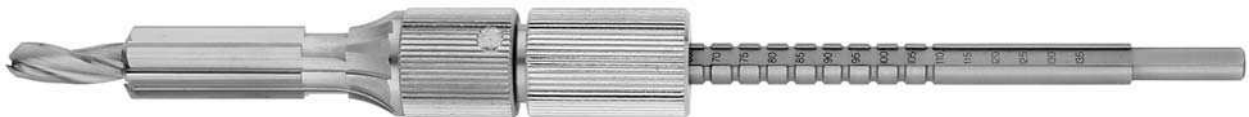
2-300 Calibrated Threaded Guide Pin
 ø 2.5 mm 230 mm length, 10 mm Thread



2-302 Drill Guide adjustable
 to 135°/140°/145°/150°



2-304 Measuring Gauge



2-306 Triple Reamer complete



2-308 Tap



2-310 Guide Sleeve, short, for tapping



2-312 Guide Sleeve, long, for screwing in of the lag screws

Hüftnägel, Winkelplatten, Dynamische Hüftschrauben Hip Nails, Angled Plates, Dynamic Hip Screws



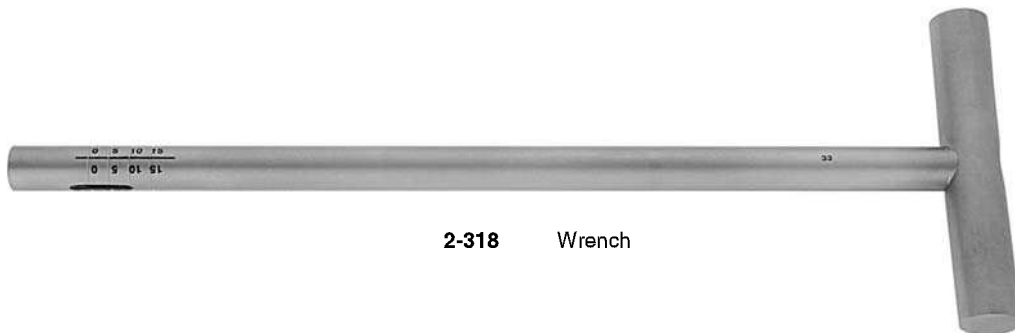
2-314 Guide Shaft for Insertion of Coupling Screws



2-316 Coupling Screw for Femoral Dynamic Hip Screw



2-317 Guide Shaft



2-318 Wrench



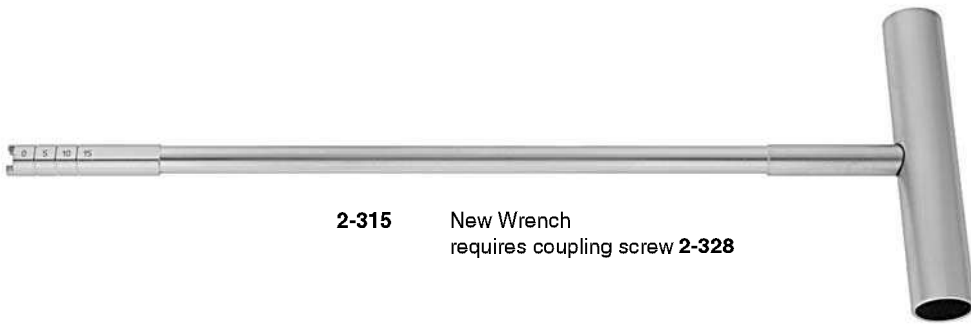
2-320 Impactor



2-322 Handle



2-313 New Guide Sleeve



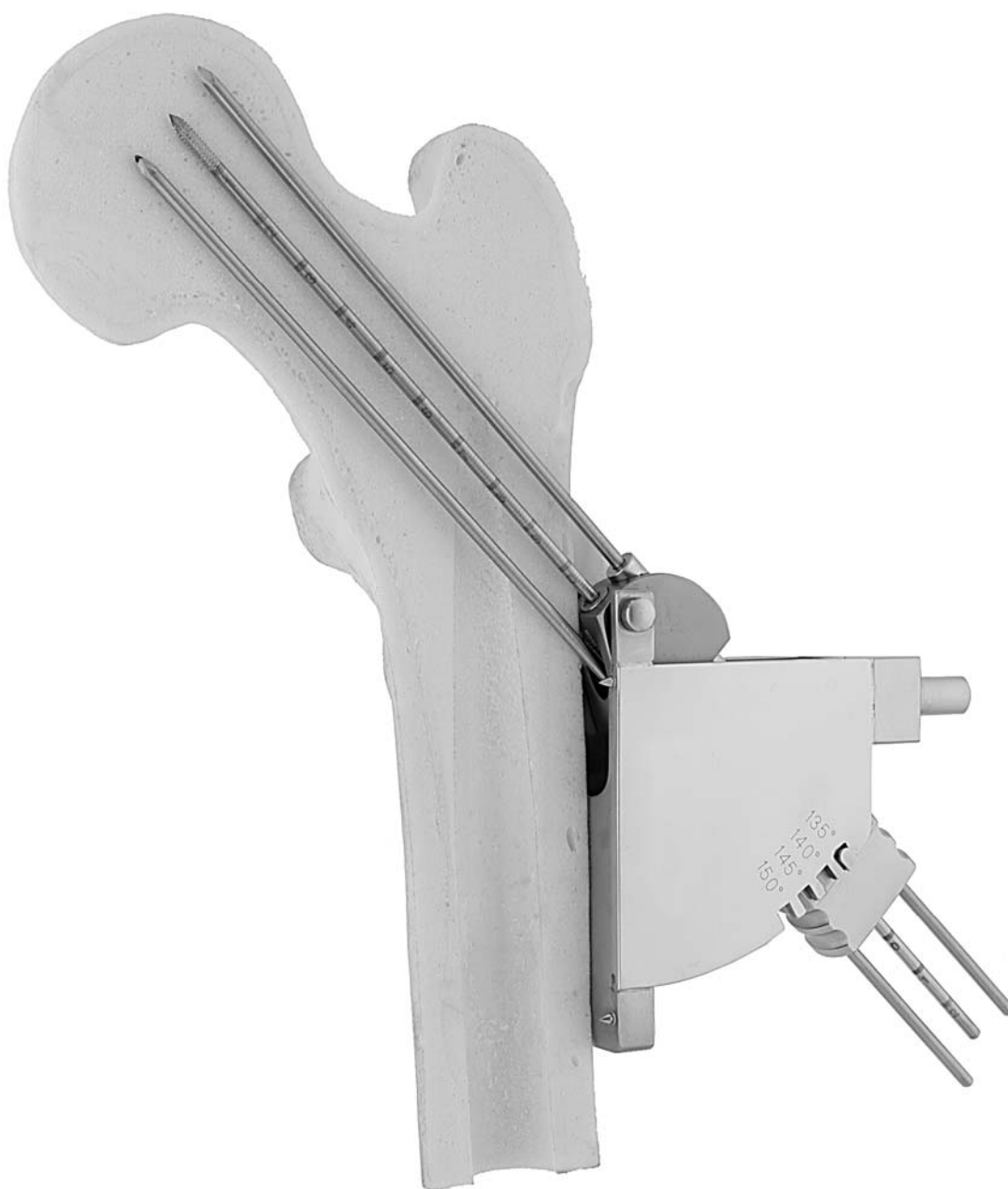
2-315 New Wrench
requires coupling screw **2-328**



2-328 New Coupling Screws

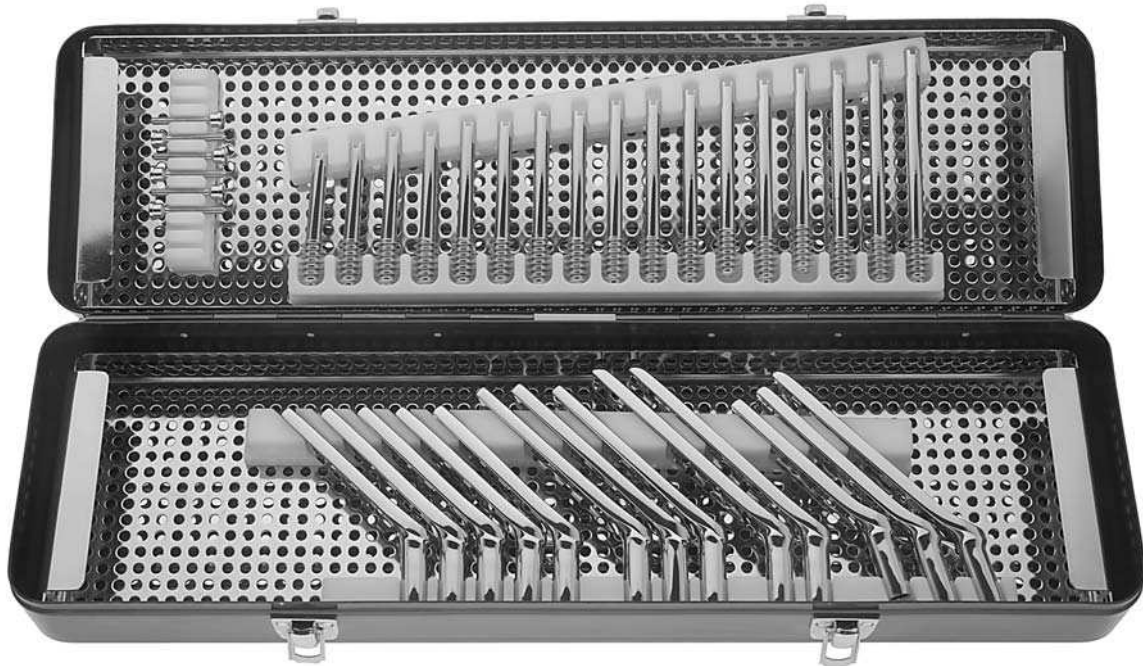


2-319 New Impactor



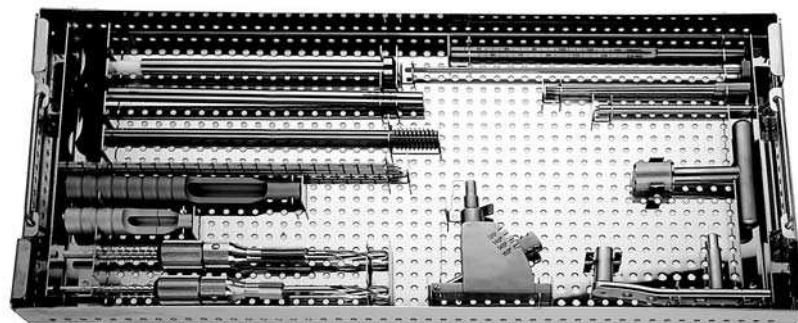
2-332 Drill Guide, adjustable
to 135°/140°/145°/150°
for three guide wires

Dynamic Hip Screw Standard Implant Set



T 240	Dynamic Hip Screw Standard Implant Set
19E-286.03	Implant Container, red, 500 x 155 x 75 mm
T 241	Upper Tray
T 242	Lower Tray
	Lag Screws
2-406-	1 ea: 65 , 70 , 105, 110 and 115 mm
2-426	2 ea: 75, 80, 85, 90, 95 and 100 mm
2-440	Compression Screw, 6 pieces
	Plates - 135°
2-352	5 ea: with 4 holes
2-354	3 ea: with 5 holes
2-356	2 ea: with 6 holes
	Plates - 150°
2-382-	1 ea: with 4, 5 and 6 holes
2-386	

T-233 Grafic Instruments Set for Dynamic Hip and Condylar Screws and Plates



- 19E-100.01** 1/1 Standard-Container, silver, 580 x 280 x 100 mm
- T-233 Set - Listing for Instruments Set for Dynamic Hip and Condylar Screws and Plates
- T-234 Tray (empty)
- 2-300 Calibrated Threaded Guide Pin \varnothing 2.5 mm x 230 mm, Threaded Length 10 mm (10 pieces)
- 2-302 Drill Guide adjustable to 125°/130°/135°/140°/145°/150°
- 2-304 Measuring Gauge
- 2-306 Triple Reamer complete for Dynamic Hip Plate System
- 2-308 Tap
- 2-310 Guide Sleeve, short, for tapping
- 2-312 Guide Sleeve, long, for screwing in of the Lag Screws
- 2-314 Guide Shaft for Insertion of Coupling Screws
- 2-316 Coupling Screw for Femoral Dynamic Hip Screw
- 2-317 Guide Shaft (2 pieces)
- 2-318 Handle
- 2-320 Impactor
- 2-322 Handle
- 2-486 Drill Guide
- 2-488 Triple Reamer complete for Dynamic Condylar Plate System

Hip Screw Plates with self compression holes

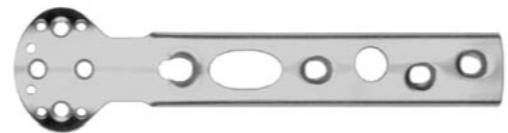


Plates only

Holes	2	4	5	6	8	10	12	14	16
125°		2-334	2-336	2-338					
130°		2-340	2-342	2-344					
135°	2-350	2-352	2-354	2-356	2-358	2-360	2-362	2-364	2-366
140°		2-368	2-370	2-372					
145°		2-374	2-376	2-378					
150°	2-380	2-382	2-384	2-386	2-388	2-390	2-392		



	Barrel 25 mm		
Holes	4	5	6
135°	2-394	2-396	2-398



2-399 Trochanter Plates

Dynamic Lag Screws, thread length 22 mm



Length	50 mm	55 mm	60 mm	65 mm	70 mm	75 mm	80 mm	85 mm	90 mm	95 mm
	2-400	2-402	2-404	2-406	2-408	2-410	2-412	2-414	2-416	2-418
	100 mm	105 mm	110 mm	115 mm	120 mm	125 mm	130 mm	135 mm	140 mm	145 mm
	2-420	2-422	2-424	2-426	2-428	2-430	2-432	2-434	2-436	2-438



2-440 Compression Screw

Hüftnägel, Winkelplatten, Dynamische Hüftschrauben Hip Nails, Angled Plates, Dynamic Hip Screws



Dynamic Condylar Plates
Plates - 95°, Barrel Length 25 mm

2-450	6	100 mm
2-452	8	130 mm
2-454	10	163 mm
2-456	12	198 mm
2-458	14	225 mm
2-460	16	260 mm
2-462	18	306 mm
2-464	20	338 mm
2-466	22	370 mm

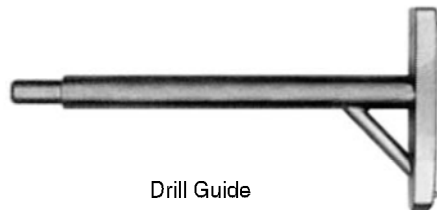


Dynamic Condylar Screw

2-400	50 mm
2-402	55 mm
2-404	60 mm
2-406	65 mm
2-408	70 mm
2-410	75 mm
2-412	80 mm
2-414	85 mm



2-486 Drill Guide



Drill Guide

2-470	135°
2-472	140°
2-474	145°
2-476	150°



2-488 Triple Reamer complete

Smith Peterson Nails



Cannulated to accept a 2.4 mm guide wire

12.7 mm										
60 mm	65 mm	70 mm	75 mm	80 mm	85 mm	90 mm	95 mm	100 mm	105 mm	
2-500	2-501	2-502	2-503	2-504	2-505	2-506	2-507	2-508	2-509	
110 mm	115 mm	120 mm	125 mm	130 mm	135 mm	140 mm	145 mm	150 mm		
2-510	2-511	2-512	2-513	2-514	2-515	2-516	2-517	2-518		

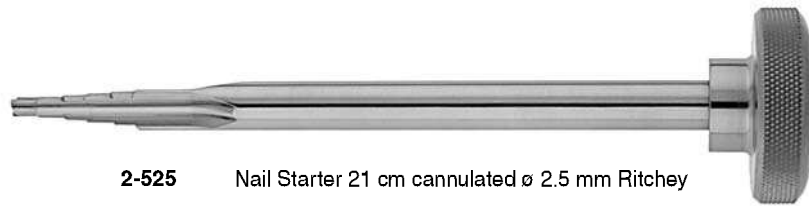
Mc. Laughlin Plates - including components (2-520)



3	5	7	12 holes
2-521	2-522	2-523	2-524



2-520 Components



2-525 Nail Starter 21 cm cannulated ø 2.5 mm Ritchey



2-526 Nail Starter



2-527 Impactor-Extractor Lloyd



2-528 Impactor-Extractor



2-529 Nail Driver

Standard Jewett Nail Heavy Duty 135° angle



3 holes 90 mm Plate length

Nail length

57 mm	63 mm	70 mm	76 mm	82 mm	89 mm	95 mm	102 mm	108 mm	114 mm	121 mm
2-530	2-531	2-532	2-533	2-534	2-535	2-536	2-537	2-538	2-539	2-540

5 holes 130 mm Plate length

Nail length

57 mm	63 mm	70 mm	76 mm	82 mm	89 mm	95 mm	102 mm	108 mm	114 mm	121 mm
2-541	2-542	2-543	2-544	2-545	2-546	2-547	2-548	2-549	2-550	2-551

7 holes 165 mm Plate length

Nail length

57 mm	63 mm	70 mm	76 mm	82 mm	89 mm	95 mm	102 mm	108 mm	114 mm	121 mm
2-552	2-553	2-554	2-555	2-556	2-557	2-558	2-559	2-560	2-561	2-562

10 holes 220 mm Plate length

Nail length

57 mm	63 mm	70 mm	76 mm	82 mm	89 mm	95 mm	102 mm	108 mm	114 mm	121 mm
2-563	2-564	2-565	2-566	2-567	2-568	2-569	2-570	2-571	2-572	2-573

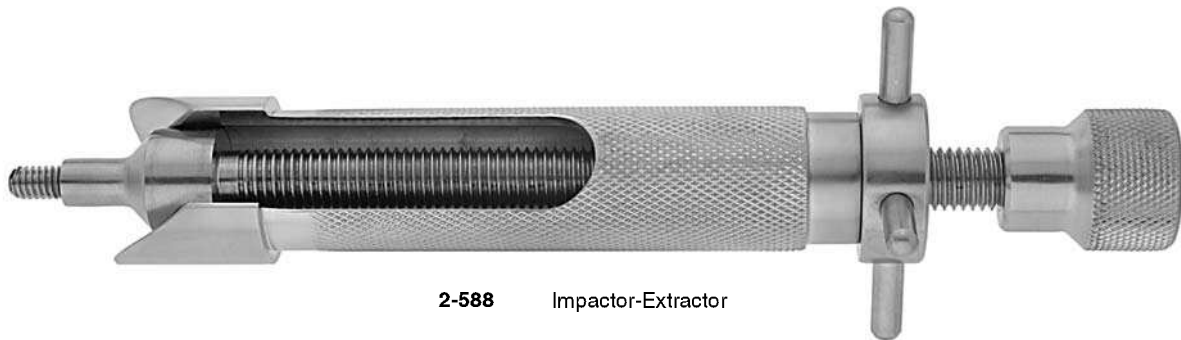
12 holes 260 mm Plate length

Nail length

57 mm	63 mm	70 mm	76 mm	82 mm	89 mm	95 mm	102 mm	108 mm	114 mm	121 mm
2-574	2-575	2-576	2-577	2-578	2-579	2-580	2-581	2-582	2-583	2-584



2-528 T - Wrench for Pins



2-588 Impactor-Extractor



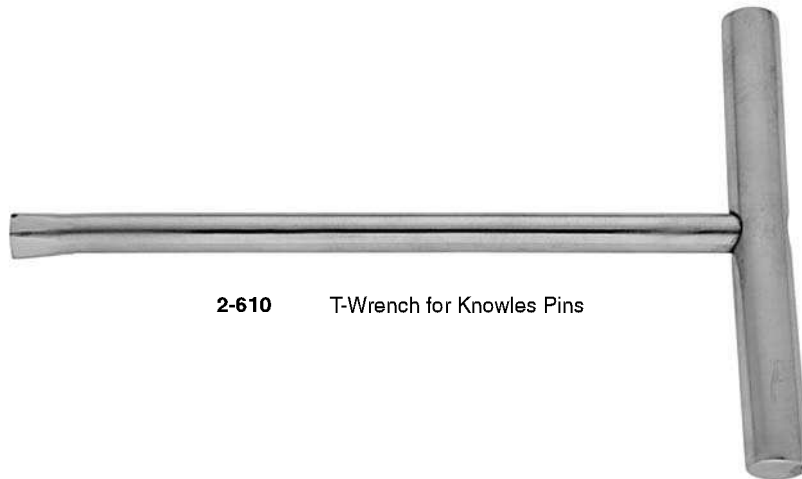
2-526 Nail Starter

Hüftnägel, Winkelplatten, Dynamische Hüftschrauben Hip Nails, Angled Plates, Dynamic Hip Screws

Knowles Pins, Overall Length: 178 mm Threaded Length: 32 mm



4.8 mm \varnothing									
57 mm	63 mm	70 mm	76 mm	82 mm	89 mm	95 mm	102 mm	108 mm	114 mm
2-590	2-591	2-592	2-593	2-594	2-595	2-596	2-597	2-598	2-599
121 mm	127 mm	133 mm	140 mm	146 mm	152 mm				
2-600	2-601	2-602	2-603	2-604	2-605				



2-610 T-Wrench for Knowles Pins

Hüftnägel, Winkelplatten, Dynamische Hüftschrauben
Hip Nails, Angled Plates, Dynamic Hip Screws





Hüftnägel, Winkelplatten, Dynamische Hüftschrauben Hip Nails, Angled Plates, Dynamic Hip Screws

Hüftnägel, Winkelplatten, Dynamische Hüftschrauben
Hip Nails, Angled Plates, Dynamic Hip Screws





Technische Änderungen vorbehalten
Technical features are subject to change
Cambios técnicos reservados
Ci riserviamo il diritto di modifiche tecniche



erbrich - instrumente GmbH
Eugenstr. 33 · D-78532 Tuttlingen
Tel.: +49 74 61 / 96 57 30
Fax: +49 74 61 / 9657 320
E-mail: erbrich-instruments@t-online.de
Website: www.erbrich-instruments.com